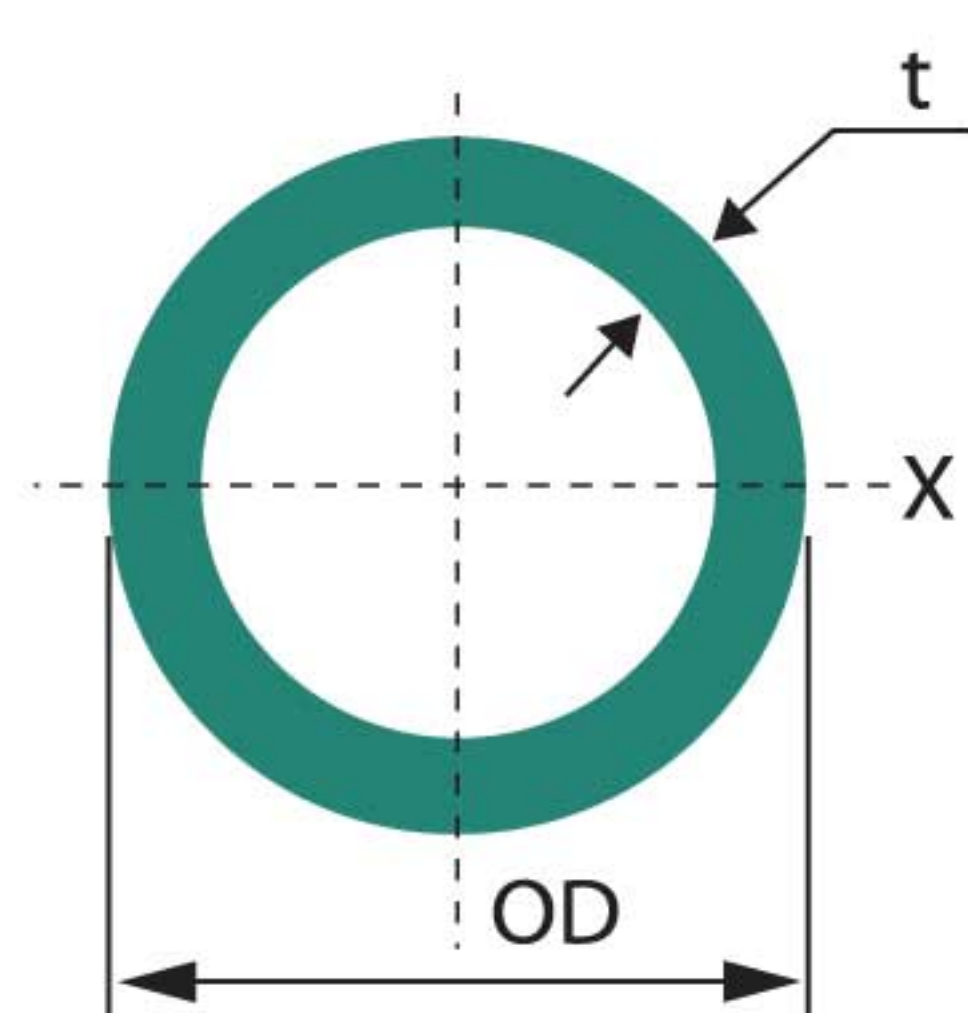


มาตรฐาน EN 10255 (เปลี่ยนจาก BS 1387)

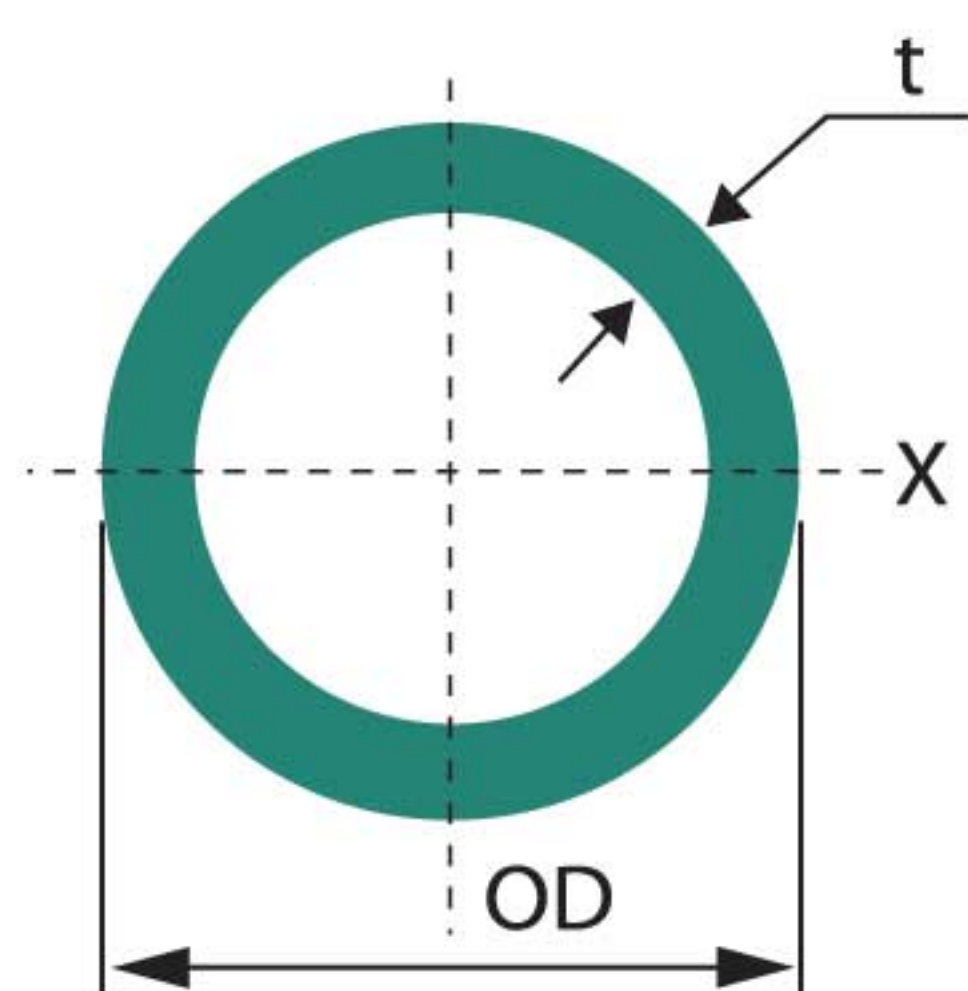
Class Light ท่อชุบสังกะสี



Nominal Size		OD		Thickness mm.	Weight		Thead per inch	Packing PCS / BDL
inch.	mm.	min. mm.	max. mm.		Plain End kg/m	Threads & Couplings kg/m		
1/2"	15	21.0	21.4	2.00	0.947	0.956	14	169
3/4"	20	26.4	26.9	2.30	1.380	1.390	14	127
1"	25	33.2	33.8	2.60	1.980	2.000	11	91
1 1/4"	32	41.9	42.5	2.60	2.540	2.570	11	61
1 1/2"	40	47.8	48.4	2.90	3.230	3.270	11	44
2"	50	59.6	60.2	2.90	4.080	4.150	11	37
2 1/2"	65	75.2	76.0	3.20	5.710	5.830	11	24
3"	80	87.9	88.7	3.20	6.720	6.890	11	19
4"	100	113.0	113.9	3.60	9.750	10.000	11	19

มาตรฐาน EN 10255 (เปลี่ยนจาก BS 1387)

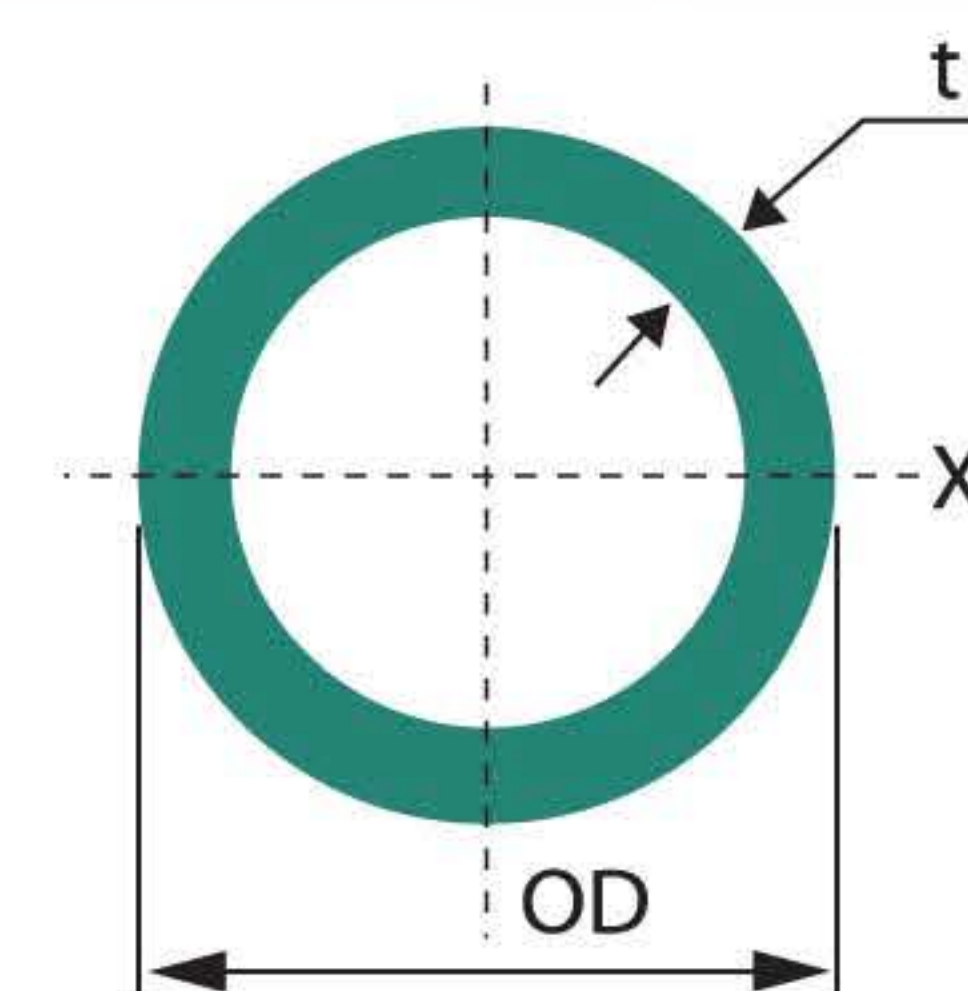
Class Medium ท่อชุบสังกะสี



Nominal Size		OD		Thickness mm.	Weight		Thead per inch	Packing PCS / BDL
inch.	mm.	min. mm.	max. mm.		Plain End kg/m	Threads & Couplings kg/m		
1/2"	15	21.1	21.7	2.60	1.210	1.220	14	169
3/4"	20	26.6	27.2	2.60	1.560	1.570	14	127
1"	25	33.4	34.2	3.20	2.410	2.430	11	91
1 1/4"	32	42.1	42.9	3.20	3.100	3.130	11	61
1 1/2"	40	48.0	48.8	3.20	3.570	3.610	11	44
2"	50	59.8	60.8	3.60	5.030	5.100	11	37
2 1/2"	65	75.4	76.6	3.60	6.430	6.550	11	24
3"	80	88.1	89.5	4.00	8.370	8.540	11	19
4"	100	113.3	114.9	4.50	12.200	12.500	11	19
5"	125	138.7	140.6	5.00	16.600	17.100	11	7
6"	150	164.1	166.1	5.00	19.700	20.300	11	7

มาตรฐาน EN 10255 (เปลี่ยนจาก BS 1387)

Class Heavy ท่อชุบสังกะสี



Nominal Size		OD		Thickness mm.	Weight		Thead per inch	Packing PCS / BDL
inch.	mm.	min. mm.	max. mm.		Plain End kg/m	Threads & Couplings kg/m		
1/2"	15	21.1	21.7	3.20	1.440	1.450	14	169
3/4"	20	26.6	27.2	3.20	1.870	1.880	14	127
1"	25	33.4	34.2	4.00	2.940	2.960	11	91
1 1/4"	32	42.1	42.9	4.00	3.800	3.830	11	61
1 1/2"	40	48.0	48.8	4.00	4.380	4.420	11	44
2"	50	59.8	60.8	4.50	6.190	6.260	11	37
2 1/2"	65	75.4	76.6	4.50	7.930	8.050	11	24
3"	80	88.1	89.5	5.00	10.300	10.500	11	19
4"	100	113.3	114.9	5.40	14.500	14.800	11	19
5"	125	138.7	140.6	5.40	17.900	18.400	11	7
6"	150	164.1	166.1	5.40	21.300	21.900	11	7